

ZARF35110-L-TV

Needle roller/axial cylindrical roller bearing

Schaeffler ID:
0016828490000

Needle roller/axial cylindrical roller bearings ZARF...L, double direction, for screw mounting, long shaft locating washer

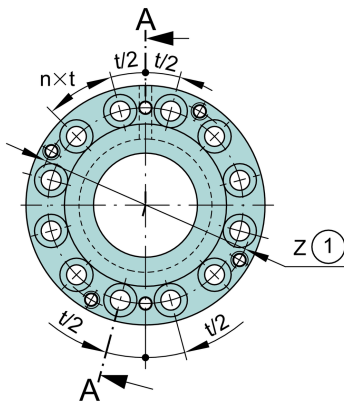
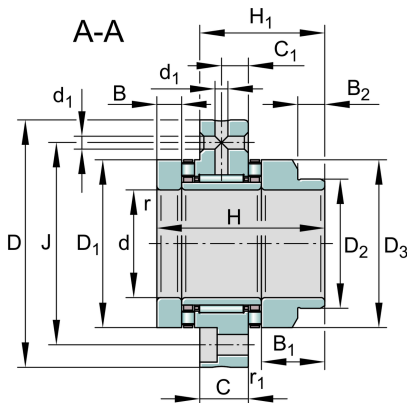
Technical information

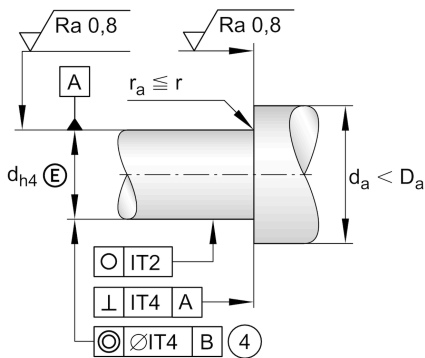
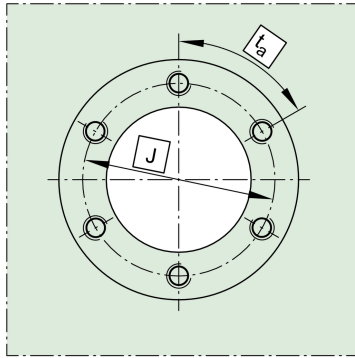
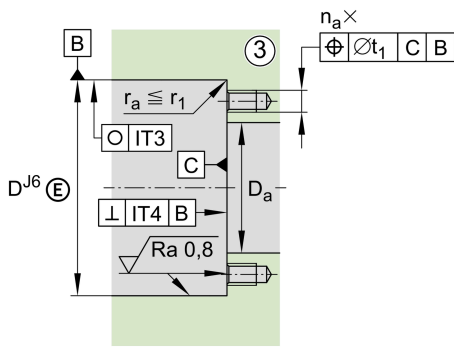
Main Dimensions & Performance Data

d	35 mm	Bore diameter
D	110 mm	Outside diameter
H	82 mm	Height
C_a	105.000 N	Basic dynamic load rating, axial
C_{0a}	265.000 N	Basic static load rating, axial
C_r	27.500 N	Basic dynamic load rating, radial
C_{0r}	53.000 N	Basic static load rating, radial
C_{ua}	22.900 N	Fatigue load limit, axial
C_{ur}	7.600 N	Fatigue load limit, radial
$n_{G\text{ Oil}}$	4.000 1/min	Limiting speed for oil lubrication
$n_{G\text{ Grease}}$	1.250 1/min	Limiting speed for grease lubrication
M_{RL}	2,3 Nm	Bearing friction torque
	2,181 kg	Weight

Mounting dimensions

$D_{a\text{ max}}$	74 mm	Maximum diameter of housing shoulder
$d_{a\text{ min}}$	58 mm	Minimum diameter shaft shoulder





Dimensions

H_1	57 mm	Height outer ring over wave washer
C	18 mm	Width, outer ring
C_1	10 mm	Distance to lubrication hole
D_1	73 mm	Rip diameter shaft washer
D_2	60 mm	Heeldiameter wave washer long
D_3	73 mm	Outside diameter wave washer long
B	14 mm	Width, wave washer
B_1	30 mm	Width wave washer long
B_2	13 mm	Width heel wave washer long
r_{\min}	0,3 mm	Minimum chamfer dimension
$r_{1 \min}$	0,6 mm	Minimum chamfer dimension 1
d_1	3,2 mm	Diameter lubrication hole
J	88 mm	Pitch circle diameter (holes)
n	12	Number (screwing holes)
$n \times t$	30 °	Split

Temperature range

T_{\min}	-30 °C	Operating temperature min.
T_{\max}	20 °C	Operating temperature max.

Additional information

c_{aL}	3.500 N/μm	Rigidity axial
c_{kL}	1.300 Nm/mrad	Tilting stiffness
M_m	10,4 kg*cm ²	Mass moment of inertia
	1 μm	Axial runout
radial	ZMA35/70	Recommended INA precision locknut for radial locking (not included)
axial	AM35	Recommended INA precision locknut for axial locking (not included)
M_A	100 Nm	Tightening torque nut
	27.480 N	Required locknut force
	60X75X8	Rotary shaft seal to DIN 3760 (not included)
	M8	Size fixing screws DIN EN ISO 4762 10.9 (not included)
n_a	12	Number of screws
$na \times ta$	30 °	Division (screwing holes)